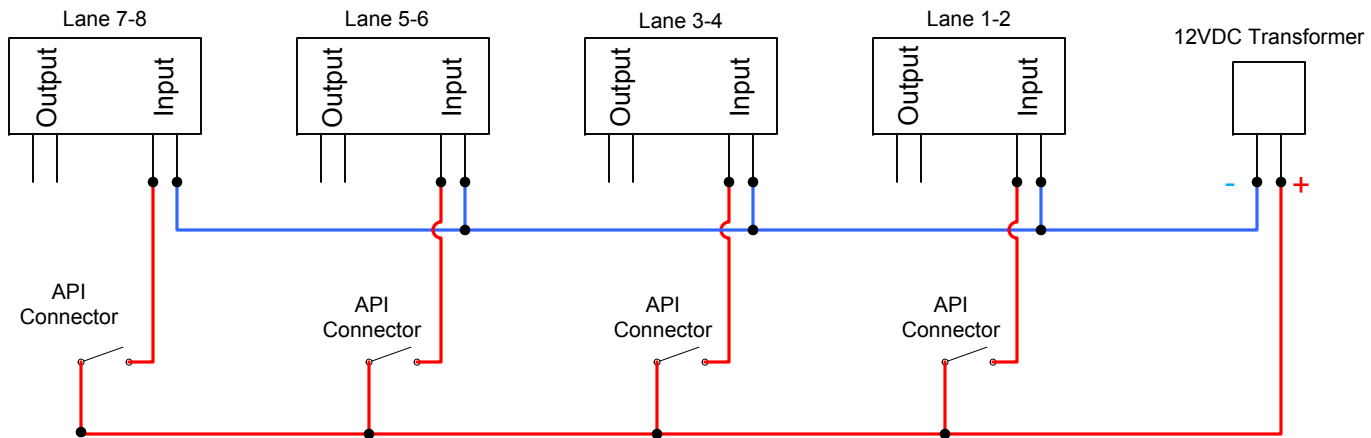




### Steltronic and ZOT Black Light Controllers



For Brunswick A-2 Pinsetters, use API connector 5  
For AMF 82-90XL Pinsetters, use API connector 10