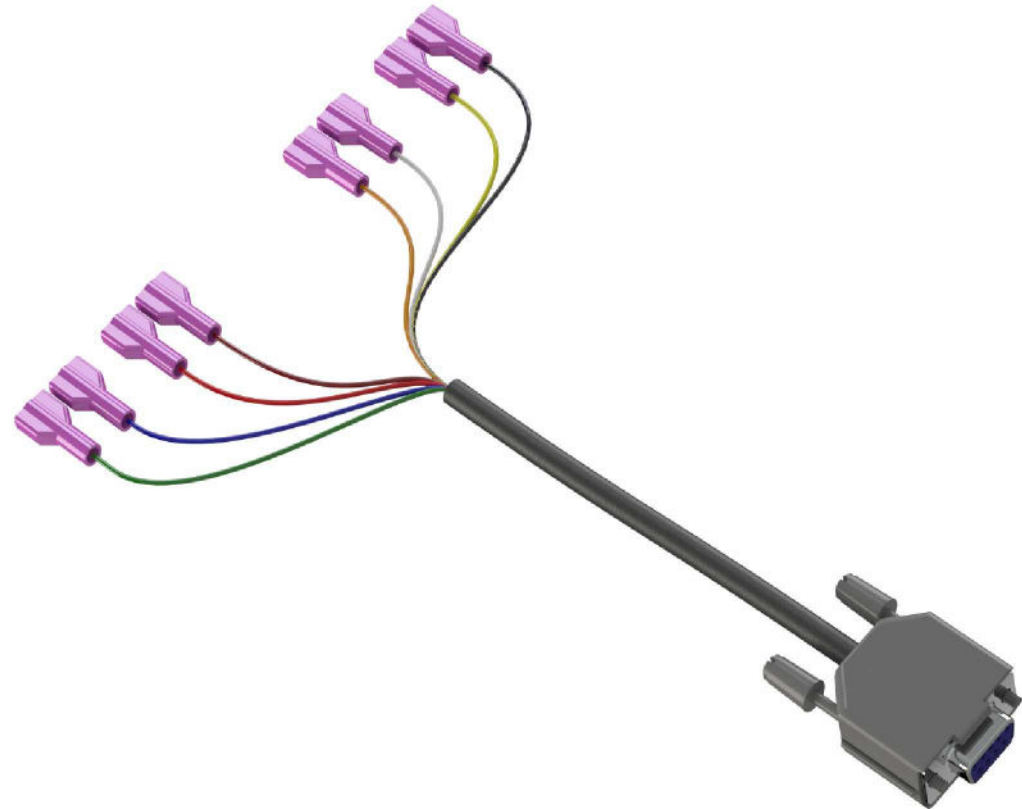


# 716004 Yes-No Buttons to Interface

Cable that connects the YES-NO Buttons to the box that holds the QWERTY PCB only

BW PN: 716004



Documents



REV.	DATE	NAME	CHANGES	
1	1/5/2023	Jim Osdale		
0	1/12/2021	Jim Osdale		
			Steltronic North America 4600 Arrow Hwy. Montclair, CA. 91763 (909) 971-9656	REVISION 1
			CONTRACT:	User data 1 BW PN: 716004 User data 2 SCHEME 01

1-Documents

Drawing	Description	Function	Location	Revision	Date	Created by	Folder	Folder description
<a href="#">01</a>	Cover page	F1	L1	1	1/5/2023	JimOsdaleOffice		
<a href="#">02</a>	Drawings list	F1	L1	1	1/5/2023	JimOsdaleOffice		
<a href="#">03</a>	Wiring Diagram Schematic	F1	L1	1	1/5/2023	JimOsdaleOffice		
<a href="#">04</a>	Bill Of Materials grouped by manufacturer	F1	L1	1	1/5/2023	JimOsdaleOffice		
<a href="#">05</a>	716004 Cable Assembly 3-D Model	F1		1	1/5/2023	JimOsdaleOffice		
<a href="#">06</a>	716004 Pick List	F1	L1	1	1/5/2023	JimOsdaleOffice		
<a href="#">07</a>	716004 Cable Assembly Dimensions	F1	L1	1	1/5/2023	JimOsdaleOffice		
<a href="#">08</a>	716004 Pinouts Diagram	F1	L1	1	1/5/2023	JimOsdaleOffice		

SOLIDWORKS Electrical



Steltronic North America

4600 Arrow Hwy.  
Montclair, CA. 91763  
(909) 971-9656

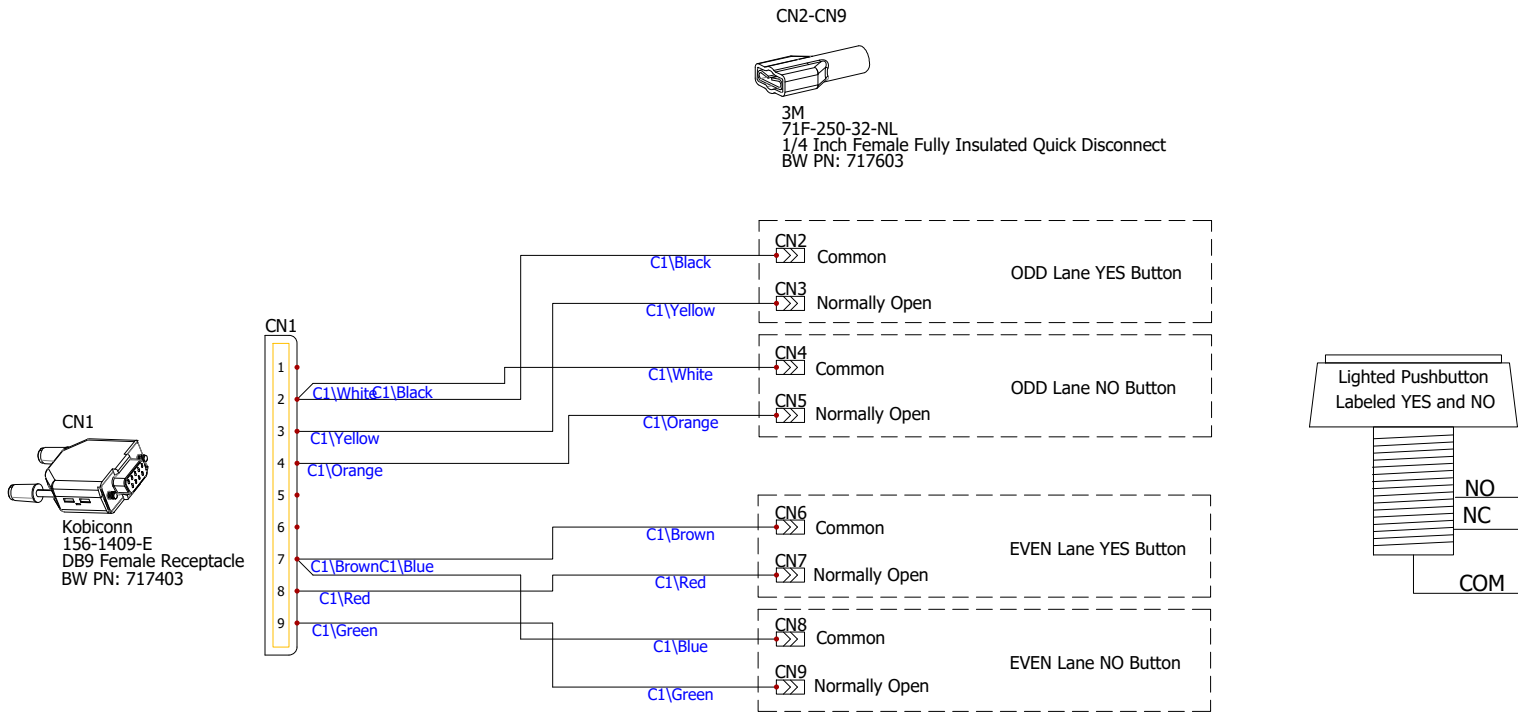
PART NUMBER: BW PN: 716004

Drawings list

716004 Yes-No Buttons to Interface

DESCRIPTION: Cable that connects the YES-NO Buttons to the box that holds the QWERTY PCB only

REV.	DATE	NAME	CHANGES	REVISION
1	1/5/2023	JimOsdaleOffice		1
0	1/12/2021	JimOsdaleOffice		
User data 1			User data 2	SCHEME
BW PN: 716004				02



Steltronic North America

4600 Arrow Hwy.  
Montclair, CA. 91763  
(909) 971-9656

### Wiring Diagram Schematic

#### 716004 Yes-No Buttons to Interface

DESCRIPTION: Cable that connects the YES-NO Buttons to the box that holds the QWERTY PCB only

REV.	DATE	NAME	CHANGES	REVISION
1	1/5/2023	JimOsdaleOffice		1
0	1/12/2021	JimOsdaleOffice		
User data 1 BW PN: 716004			User data 2	SCHEME 03

PART NUMBER: BW PN: 716004

3M

	Reference	Mark	Description	Qty.	Manufacturer	BW Part Number
1	71F-250-32-NL	CN2, CN3, CN4, CN5, CN6, CN7, CN8, CN9	1/4 Inch Female Fully Insulated Quick Disconnect	8	3M	BW PN: 717603

AMP

	Reference	Mark	Description	Qty.	Manufacturer	BW Part Number
1	<a href="#">8656353064LF</a>	<a href="#">CN1</a>	D-Sub Female Crimp Socket AWG 20/24	6	AMP	BW PN: 717010

Kobiconn

	Reference	Mark	Description	Qty.	Manufacturer	BW Part Number
1	<a href="#">152-9009-EX</a>	<a href="#">CN1</a>	DB9 Backshell Hood-Cover	1	Kobiconn	BW PN: 717809
2	<a href="#">156-1409-E</a>	<a href="#">CN1</a>	DB9 Female Receptacle	1	Kobiconn	BW PN: 717403



Steltronic North America

4600 Arrow Hwy.  
Montclair, CA. 91763  
(909) 971-9656

Bill Of Materials grouped by manufacturer

716004 Yes-No Buttons to Interface

DESCRIPTION: Cable that connects the YES-NO Buttons to the box that holds the QWERTY PCB only

PART NUMBER: BW PN: 716004

REV.	DATE	NAME	CHANGES	REVISION
1	1/5/2023	JimOsdaleOffice		1
0	1/12/2021	Jim Osdale		
				SCHEME
				04

User data 1  
BW PN: 716004

User data 2



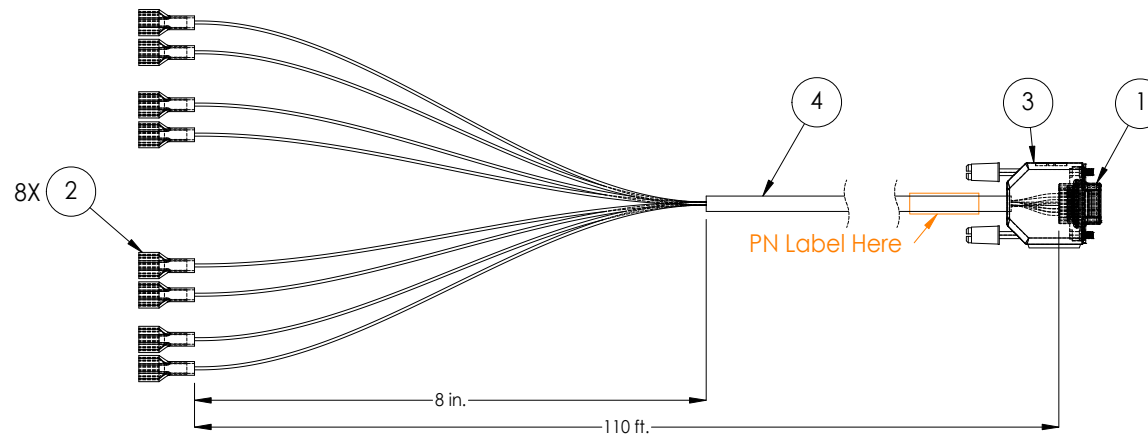
11:33 am

**Pick List**

716004 / Cable: ButtonsTo Qwerty Intf

Quantity to build: 1

Part Number	Description	U/M	Bin/ Location	Quantity to Pull	Quantity Pulled
717010	Female Crimp Pin For DB Receptacle	each		6	_____
717203	8 Conductor, 22 AWG Cable	each		110	_____
717403	DB9 Female Receptacle	each	54	1	_____
717604	.250 Quick Disconnect 18-22 AWG Male Fully Insulated	each		8	_____
717809	DB9 Plastic Locking Hood	each	51	1	_____
LABOR-CA	Shop Labor California	Min.		45	_____



ITEM NO.	PART NUMBER	DESCRIPTION	QTY.
1	717403 DB9 Female Crimp Connector	DB9 Female Receptacle	1
2	Quick Disconnect Female Spade Connector	1/4 Inch Female Fully Insulated Quick Disconnect	8
3	152-9009-EX DB9 Backshell Hood-Cover	DB9 Backshell Hood-Cover	1
4	Belden - 8 Conductor 22AWG	8 Conductor 22AWG (Non Shielded)	1



**Steltronic North America**  
 4600 Arrow Hwy.  
 Montclair, CA. 91763  
 (909) 971-9656

PART NUMBER: BW PN: 716004

**716004 Cable Assembly Dimensions**

**716004 Yes-No Buttons to Interface**  
 DESCRIPTION: Cable that connects the YES-NO Buttons to the box that holds the QWERTY PCB only

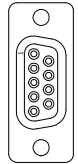
Steltronic North America

1	1/5/2023	JimOsdaleOffice	
0	8/17/2021	JimOsdaleOffice	
REV.	DATE	NAME	CHANGES
User data 1		User data 2	
BW PN: 716004			

SCALE  
**1/5**

REVISION  
**1**

SCHEME  
**07**

 <p>DB9 Female Socket Side</p>	<b>CN1</b> <span style="color: red;">Kobiconn 156-1409-E DB9 Female Receptacle BW PN: 717403</span>			
	Pin	Color	Destination	Cross-ref
	1			03
	2	Black; White	CN2; CN4	03
	3	Yellow	CN3	03
	4	Orange	CN5	03
	5			03
	6			03
	7	Brown; Blue	CN6; CN8	03
	8	Red	CN7	03
9	Green	CN9	03	



Steltronic North America

4600 Arrow Hwy.  
Montclair, CA. 91763  
(909) 971-9656

PART NUMBER: BW PN: 716004

### 716004 Pinouts Diagram

#### 716004 Yes-No Buttons to Interface

DESCRIPTION: Cable that connects the YES-NO Buttons to the box that holds the QWERTY PCB only

1	1/5/2023	JimOsdaleOffice		REVISION	1
0	1/5/2023	JimOsdaleOffice		SCHEME	08
REV.	DATE	NAME	CHANGES		
User data 1 BW PN: 716004			User data 2		