



Time Delay Module Removal with Steltronic Scoring



- A. 1 each relay from Grainger
 - a. Part number: 5X837
 - b. [Internet Link](#)



- B. 1 each relay socket from Grainger
 - a. Part number: 5X853
 - b. [Internet Link](#)

4600 Arrow Highway * Montclair, CA. 91763

Phone (909) 971-9656

<http://www.SteltronicScoring.com> E-Mail service@steltronicscoring.com

Instructions to modify the current Brunswick A-2 electrical box by removing the Time Delay module and using a replacement cycle relay that plugs into a removable socket

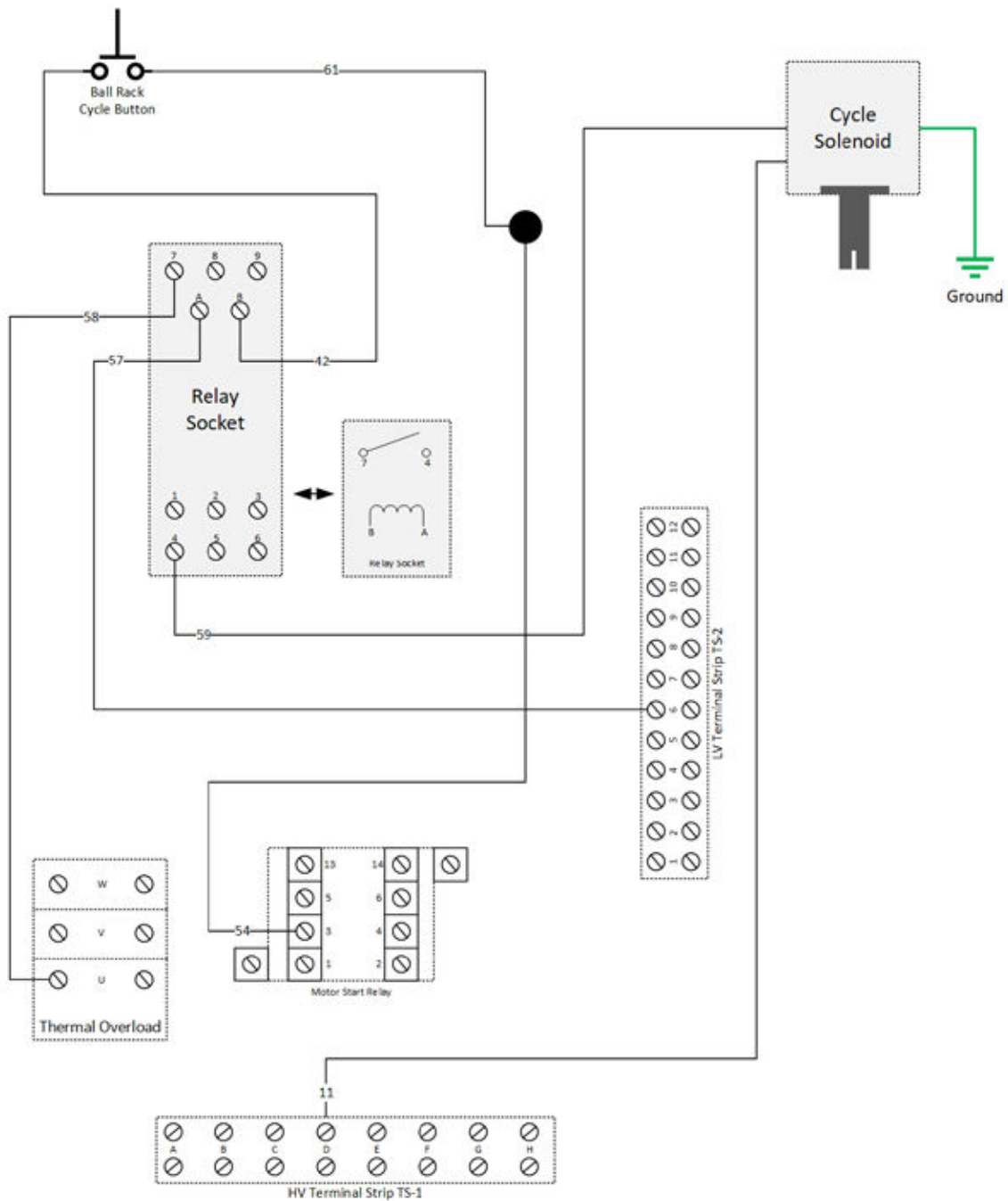
Note: The wire numbers are taken from the original schematic of a Brunswick A-2 electrical box. If you find different wiring, please adjust accordingly.

1. Remove wire 57 from TD Module terminal 13 and connect to terminal "A" on the relay socket that you purchased from Grainger.
2. Connect wire 42 to terminal "B" on the relay socket that you purchased from Grainger.
3. Connect both wires 54 & 61 together.
4. Remove wire 58 from TD module terminal 19 and connect to terminal "7" of the relay socket you purchased from Grainger.
5. Remove wire 59 from TD module terminal 20 and connect to terminal "4" of the relay socket you purchased from Grainger.

4600 Arrow Highway * Montclair, CA. 91763

Phone (909) 971-9656

<http://www.SteltronicScoring.com> E-Mail service@steltronicscoring.com



Modified Connections to Eliminate the Time Delay Module

Steltronic Service Department

4600 Arrow Highway * Montclair, CA. 91763

Phone (909) 971-9656

<http://www.SteltronicScoring.com> E-Mail service@steltronicscoring.com