



MONITOR BRACKETS INSTALLATION MANUAL



3205 Pomona Blvd.
Pomona, California 91768 USA



Service@SteltronicUSA.com



(909) 971-9656



SteltronicUSA.com

Contents

Flat Screen Monitors Universal Bracket Installation	3
Dual & Triple Monitor Installations	4
<i>Triple Monitor Frame Assembly</i>	<i>4</i>
<i>Dual Monitor Frame Assembly.....</i>	<i>4</i>
SINGLE Monitor Installation	5
<i>SINGLE Monitor Frame Assembly</i>	<i>5</i>
Part Numbers and Descriptions.....	6
Individual Part Descriptions and Part Numbers.....	7
Add-On bracket for triple monitor installations	8
Monitor Channel Bracket Installation.....	9
Monitor Hanger (Tilt & Angle) Bracket Installation	10
Safety lock hardware.....	11
Hanging monitors From Ceiling Structure	12

FLAT SCREEN MONITORS UNIVERSAL BRACKET INSTALLATION



DUAL & TRIPLE MONITOR INSTALLATIONS

The Steltronic universal monitor bracket assembly can be used to install many different models of flat screen monitors from 28 inches up to 55 inches.

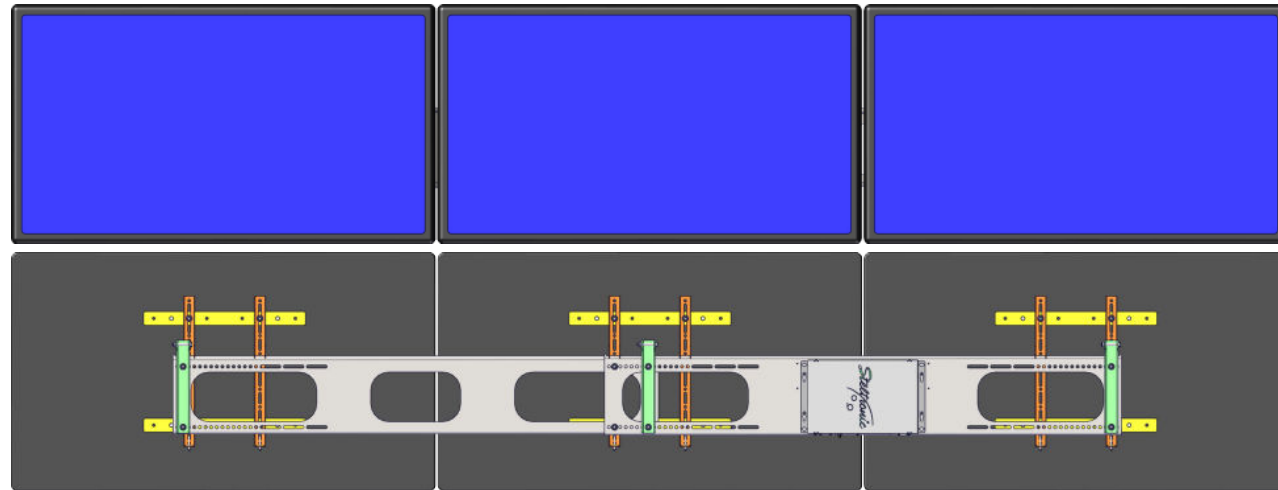
- For dual monitors, you can install up to 55 inch flat screen monitors.
- For triple monitors, you have a limitation of 50 inch monitors (because a pair of lanes has width limitations)

Shown below are two examples of the Steltronic universal monitor bracket assemblies.

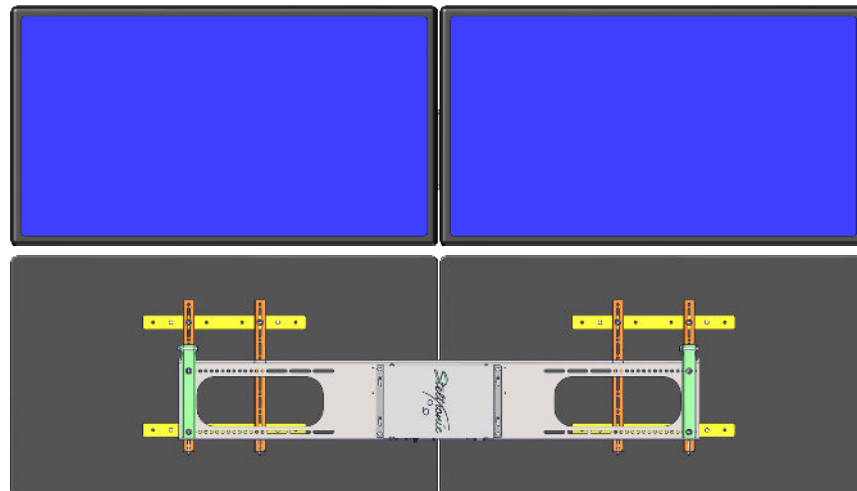
Per pair of bowling lanes:

- Two piece frame assembly for mounting three (3) monitors.
- Single piece frame assembly for mounting two (2) monitors.

TRIPLE MONITOR FRAME ASSEMBLY



DUAL MONITOR FRAME ASSEMBLY



SINGLE MONITOR INSTALLATION

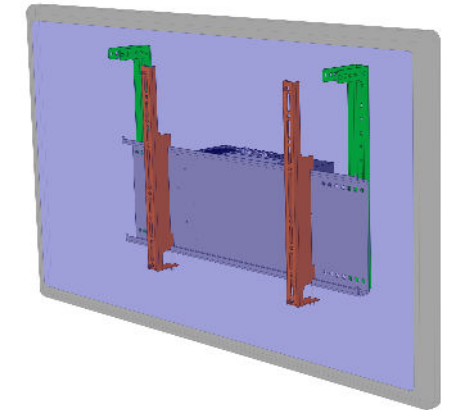
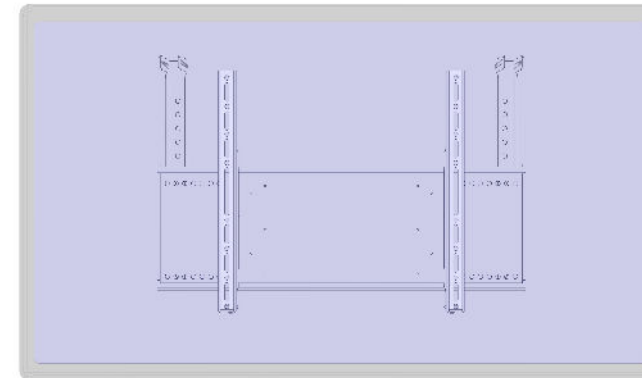
The Steltronic universal monitor bracket assembly can be used to install many different models of flat screen monitors from 28 inches up to 55 inches.

- For single monitor installations, you can install up to 55 inch flat screen monitors.

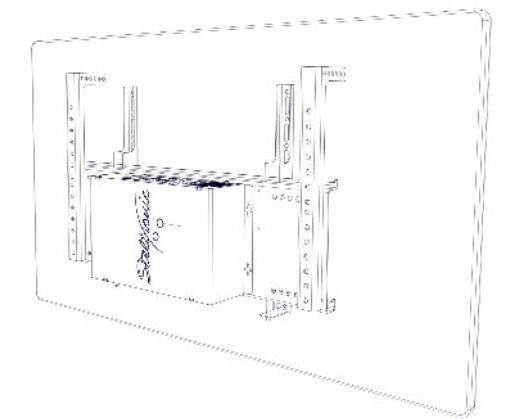
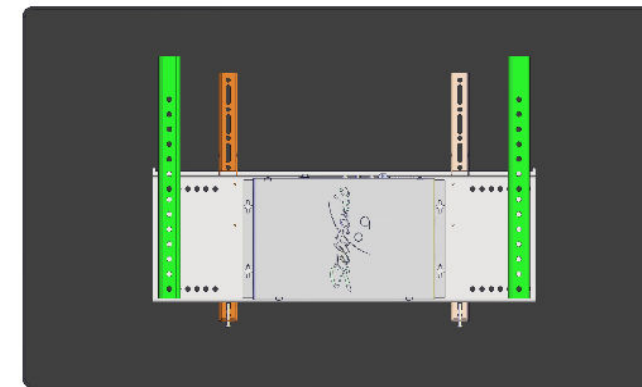
Shown below is the single monitor bracket assemblies.

SINGLE MONITOR FRAME ASSEMBLY

Front View



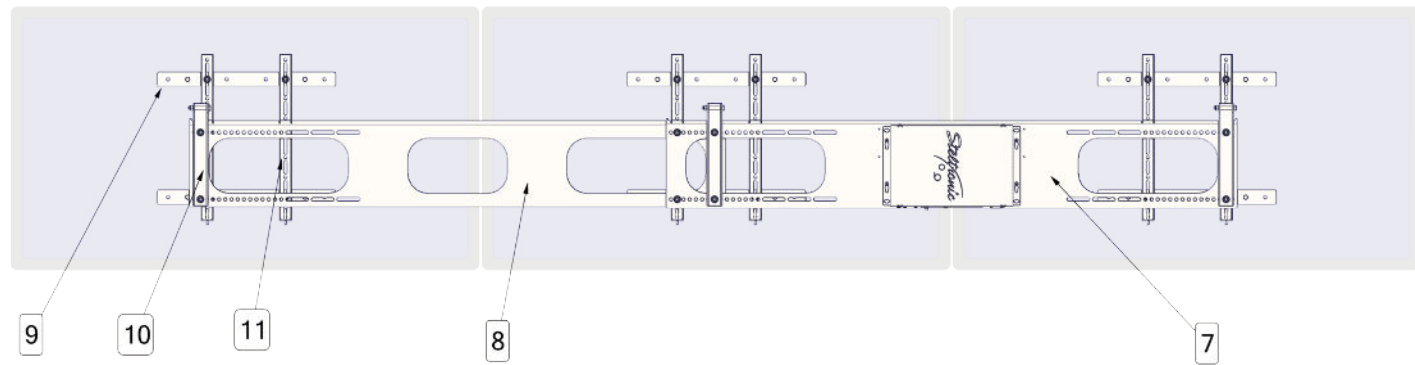
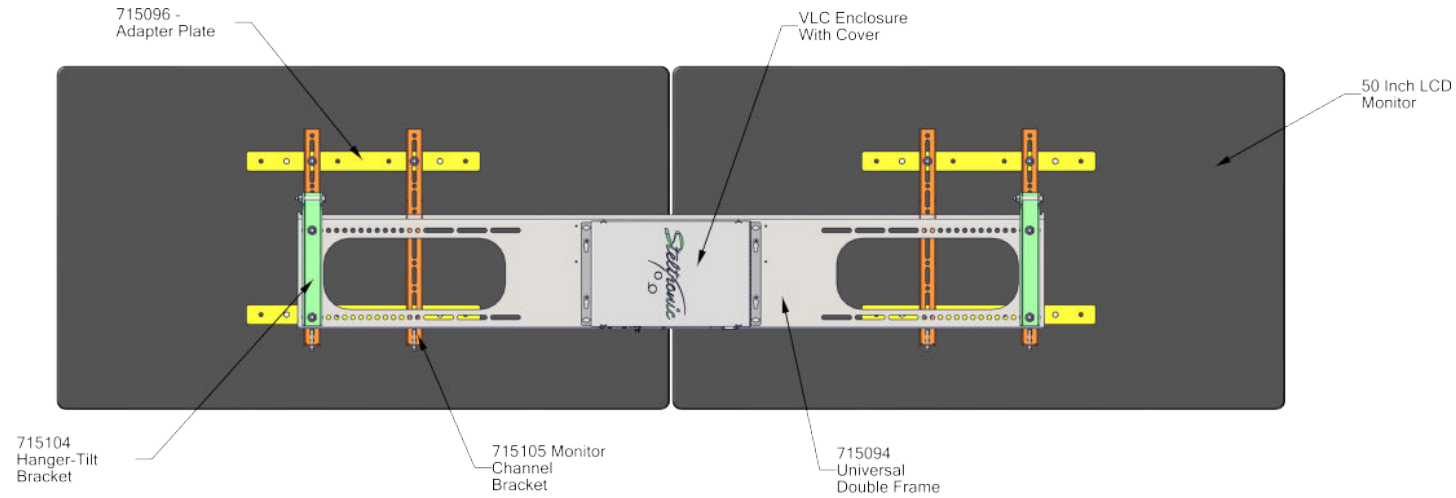
Back View



PART NUMBERS AND DESCRIPTIONS

Bill of Materials (BOM)

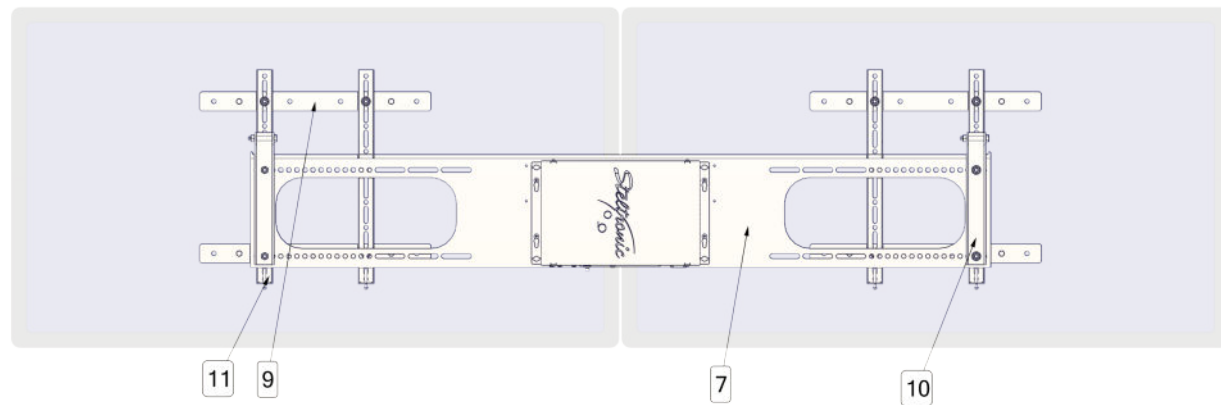
Displayed below are the parts required to assemble double & triple monitor bracket assemblies. Part numbers and quantities for dual and triple monitor installations are included.



Description	BOM ID	Qty
715094 Universal Double Frame	7	1
715095 Add-On Frame for Triple Monitors	8	1

Description	BOM ID	Qty
715096 - Adapter Plate	9	6
715104 Hanger-Tilt Bracket	10	3

Description	BOM ID	Qty
715105 Monitor Channel Bracket	11	6

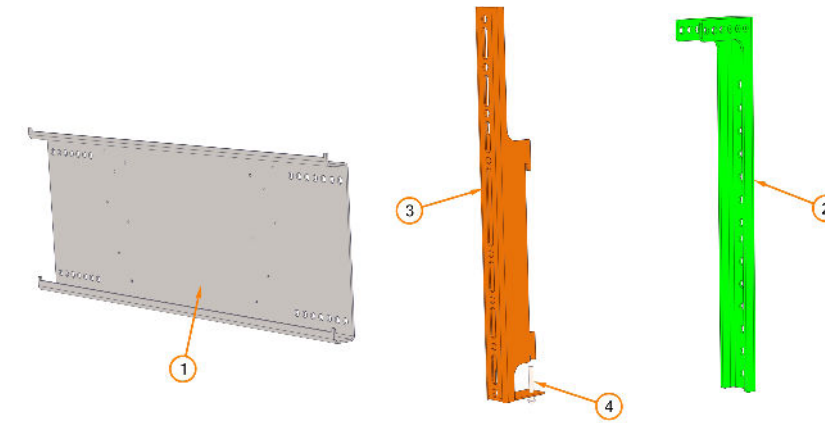


BOM ID	Qty	Description
7	1	715094 Universal Double Frame
9	4	715096 - Adapter Plate
10	2	715104 Hanger-Tilt Bracket

BOM ID	Qty	Description
11	4	715105 Monitor Channel Bracket

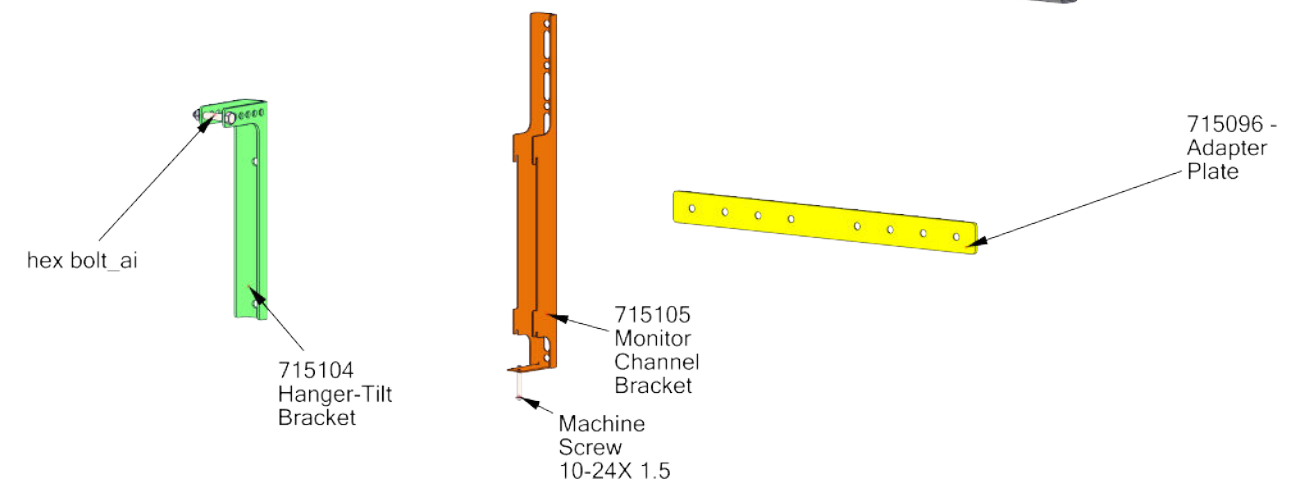
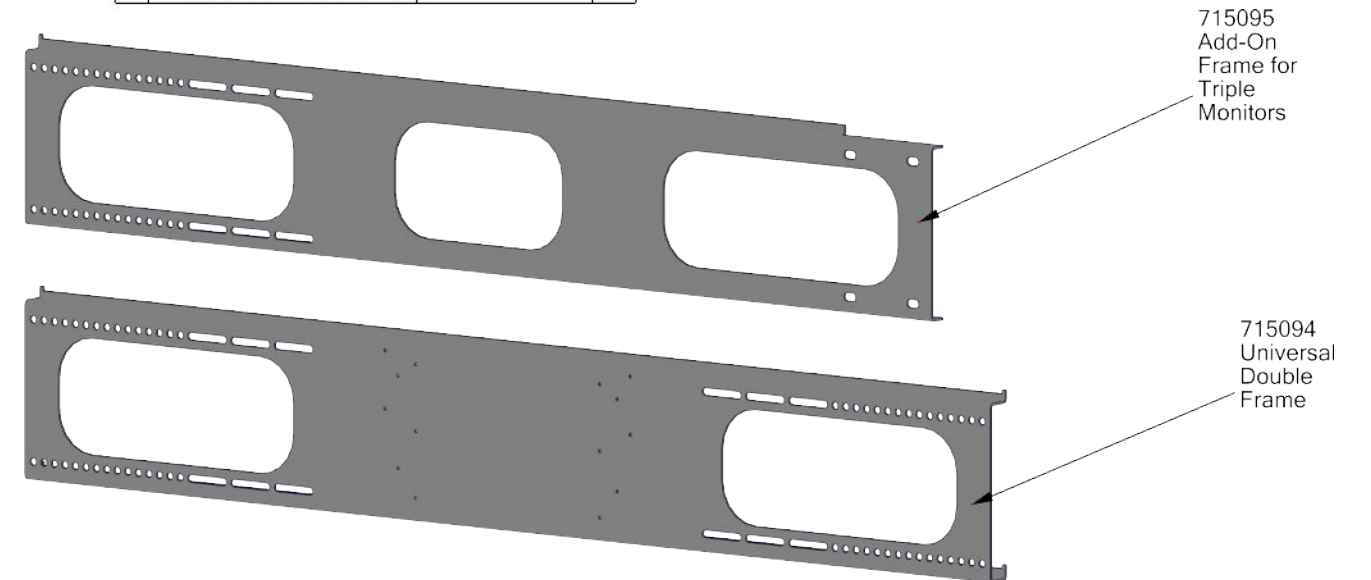
INDIVIDUAL PART DESCRIPTIONS AND PART NUMBERS

Bill of Materials (BOM)



ID	Description	Manufacturer Details	Qty
1	715089 Universal Single Frame		1
2	715104 Hanger-Tilt Bracket		1
3	715105 Monitor Channel Bracket		1

ID	Description	Manufacturer Details	Qty
4	Machine Screw 10-24X 1.5		1



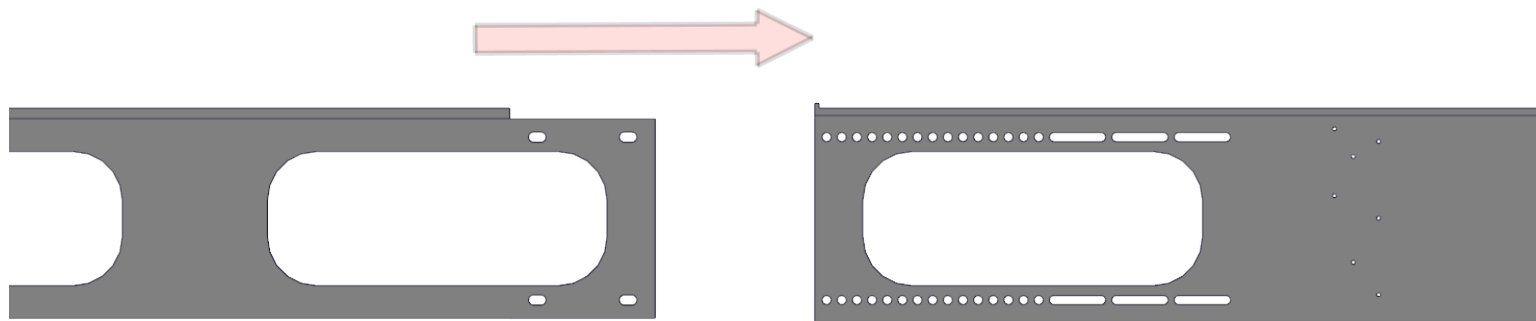
NOTE: The yellow adapter plate (PN 715096) shown above may not be included with your hardware kit because your specific monitors do not require them.

ADD-ON BRACKET FOR TRIPLE MONITOR INSTALLATIONS

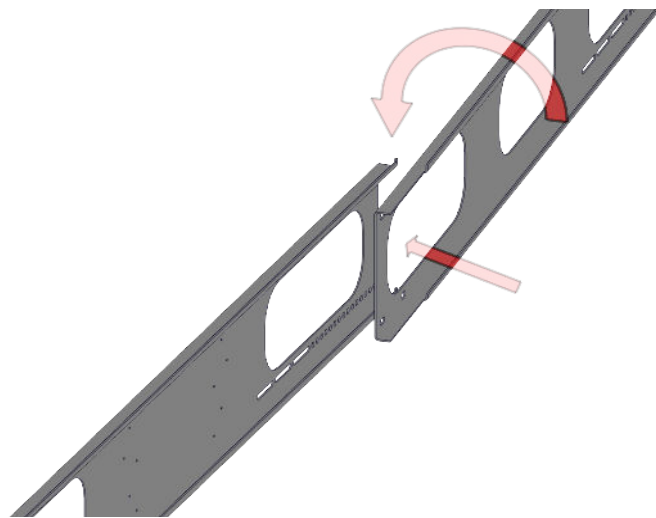
To create a “triple” monitors bracket to install three (3) LCD monitors, we have intentionally made these two brackets fit with minimum clearances and a very tight fitting with each other for many reasons, particularly hanging the three monitors on two plates. And with the powder coating, this makes it a very tight fitting bracket assembly.

Normally you should be able to slide these two brackets together, but if it's too difficult, just roll the add on plate into the dual monitor plate, and using the included cap screws and nylock lock nuts, you can essentially press the two plates together.

Slide the add-on (PN 715095) bracket into the dual monitor bracket (PN 715094) or you can use the alternative method of rolling the two plates together.



Install the add-on plate (PN 715095) into bottom of the dual plate (PN 715105) first, then “Roll” into the dual monitor plate add-on (PN 715095) bracket into the dual monitor bracket (PN 715094)

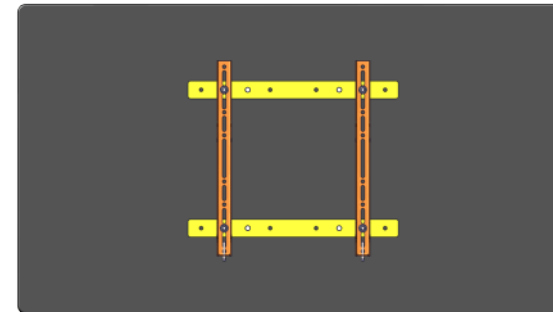


MONITOR CHANNEL BRACKET INSTALLATION

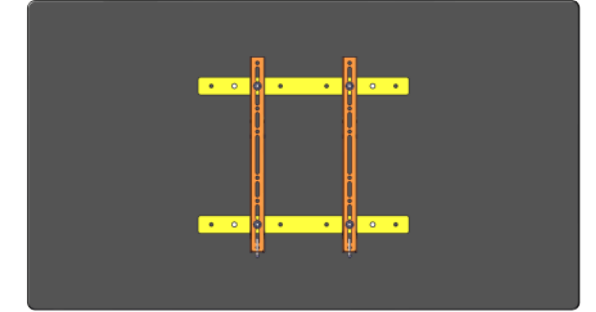
The adapter plate (in yellow shown below) part number 715096 may not be necessary and may not be included with your monitor bracket assembly kit from Steltronic. This adapter plate is only necessary if your monitors have very wide VESA mounting holes, or the monitor bezel has a large width, and it's necessary to move the monitor channel brackets (part number 715105) closer to the center of the monitor.

NOTE: Installing the monitor channel brackets closer to the center of the monitor may not be necessary.

The monitor below shows the monitor channel brackets (orange color) mounted at 300MM

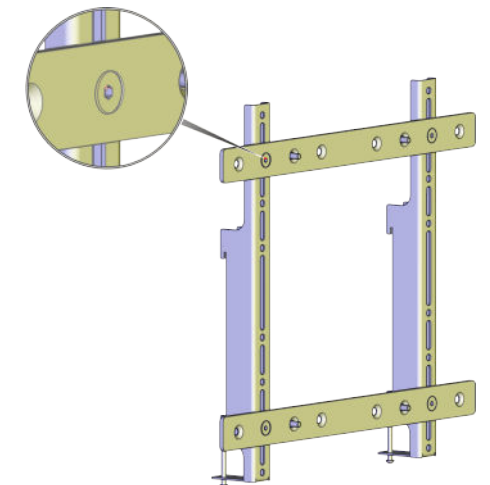


The monitor below shows the monitor channel brackets (orange color) mounted at 200MM



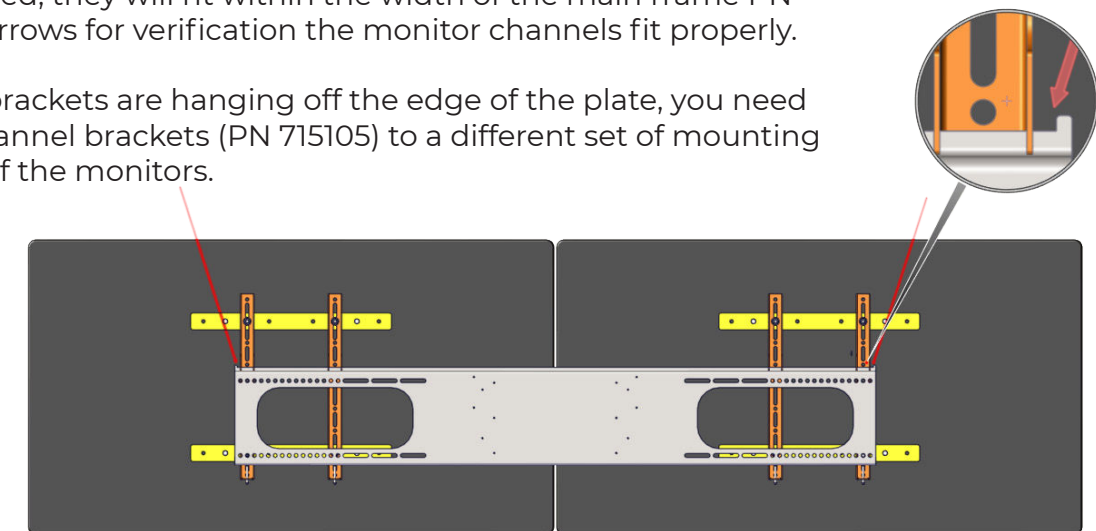
If necessary, using the supplied flat head 5/16-18 X 3/4” long screws and nylock lock nuts, you can mount the Monitor Channel Brackets (PN 715105) to a new set of desired mounting holes.

If the adapter plates (PN 715096) are not required, install the Monitor Channel Brackets (PN 715105) directly to the VESA mounting holes on the back side of the LCD - LED monitor.



It is highly recommended that you verify the LCD monitors side by side with the monitor channels installed, they will fit within the width of the main frame PN 715094. Notice the red arrows for verification the monitor channels fit properly.

If the monitor channel brackets are hanging off the edge of the plate, you need to move the monitor channel brackets (PN 715105) to a different set of mounting holes on the back side of the monitors.



MONITOR HANGER (TILT & ANGLE) BRACKET INSTALLATION

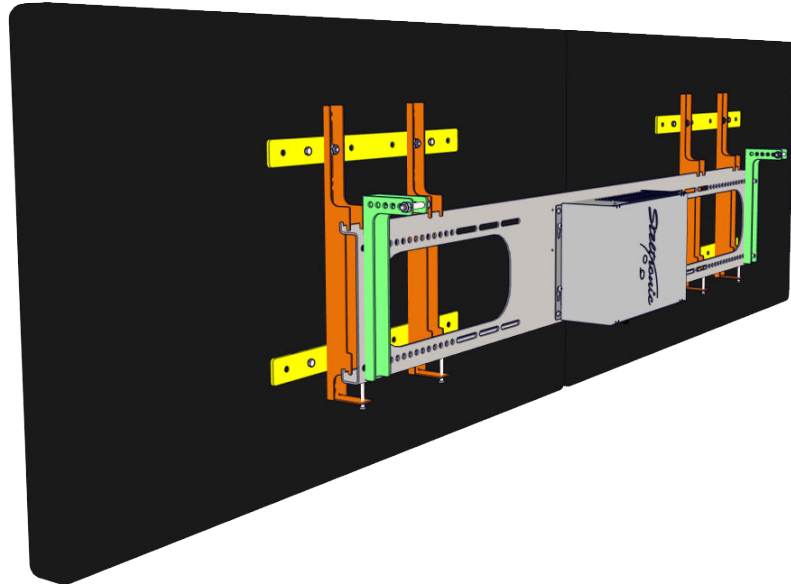
The hanger-tilt brackets part number 715104 (in green color below) are mounted to the monitor frame with 5/16-18 cap screws and nylock lock nuts. These cap screws are provided in two different lengths depending on which direction the hanger-tilt brackets are mounted.

The hanger-tilt brackets can be mounted in two different directions, with the bolt hole patterns facing the monitor or pointing away from the monitor.

This hanger-tilt bracket determines the amount of slant or tilting effect you desire and can be adjusted accordingly using different bolt patterns for more or less tilting effect on the monitors.

There is no easy way to determine this tilting effect until you mount the lane computer and monitors to the main plate PN 715094 plate, because all of the weight determines the amount of tilt you will achieve.

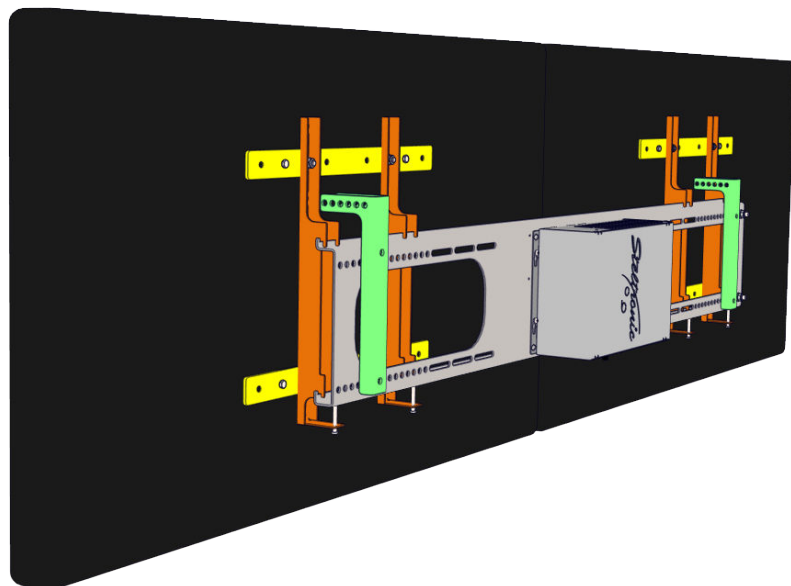
The Steltronic universal plate has different mounting holes for the Vision Lane Computer (VLC) or the Super Elex lane computer



There are two different lengths of mounting hardware for this hanger-tilt bracket depending on which direction the bracket needs to be mounted.

The hanger-tilt brackets shown here on the left in green have the bolt hole pattern pointed away from the monitors.

Using the grade 8 cap screws and lock nuts, do not over-tighten this hardware because it's not unnecessary and you will bend the bracket.



The hanger-tilt brackets shown on the left in green have the bolt hole pattern pointed towards the monitors.

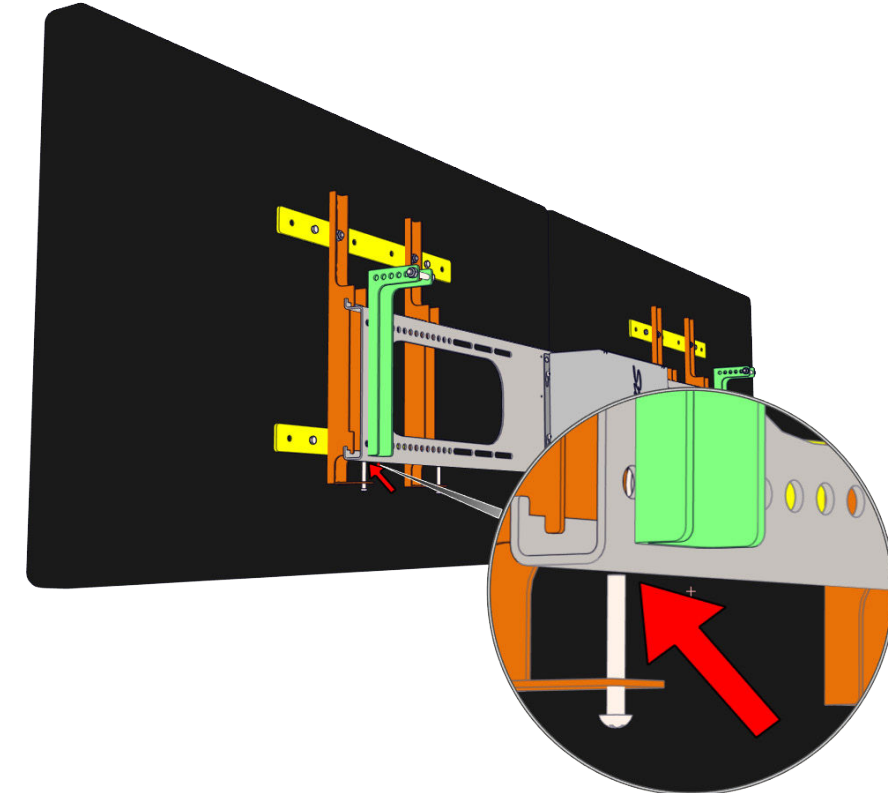
Using the grade 8 cap screws and lock nuts, do not over-tighten this hardware because it's not unnecessary and you will bend the bracket.

SAFETY LOCK HARDWARE

When the monitors are fully installed onto the universal frame assembly, looking below at the red arrow, the 10-24 X 1.5 inch long machine screws should be installed until the screw touches the bottom of the monitor plate PN 715094.

WARNING: Do Not Over-tighten this safety lock screw as you will bend the monitor channel bracket (PN 715104).

This safety screw is designed to keep the monitor in place and from being hit or pushed from the bottom of the monitor upward.



HANGING MONITORS FROM CEILING STRUCTURE

The overhead monitor brackets need to be suspended from the structure provided by the bowling center and approved by a structural engineer. Steltronic provides wire rope, crimps, turnbuckles, and quick links to hang the overhead monitor brackets over the approach.

