

SERVICE BULLETIN

Subject: “Add a bowler” button is adding multiple players

Distribution: All customers that have a push button or card reader to add players onto the bowling lane (shown below)



Issue: When pressing the “add player” button once, sometimes more than one player is added

Resolution: A new capacitor needs to be added to the switch to isolate the “bounce” effect of the switch

Description: When the player wants to add one player to the lane for bowling, they will press the button one time, however there are reports that different buttons are causing the scoring system to think the button was pushed more than one time.

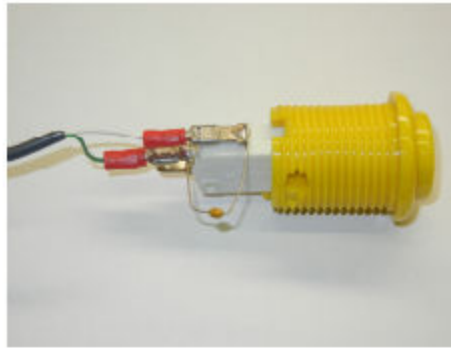
Instructions:

Please see the attached diagram for installing a very small capacitor to the switch or to the wires coming off of the switch. It does not matter how you connect the capacitor, there is “not really” a plus and minus connection, you can install it with the existing wires, or install it directly to the switch.

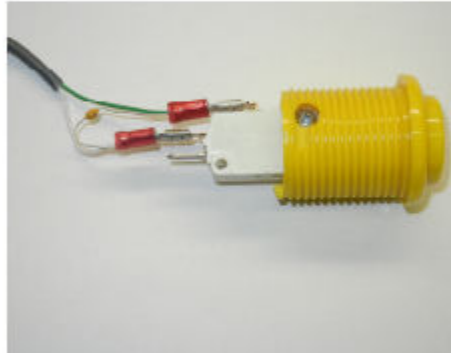
The capacitor must be installed as close as possible to the card reader or push buttons.

Thank you...
Steltronic Service Department

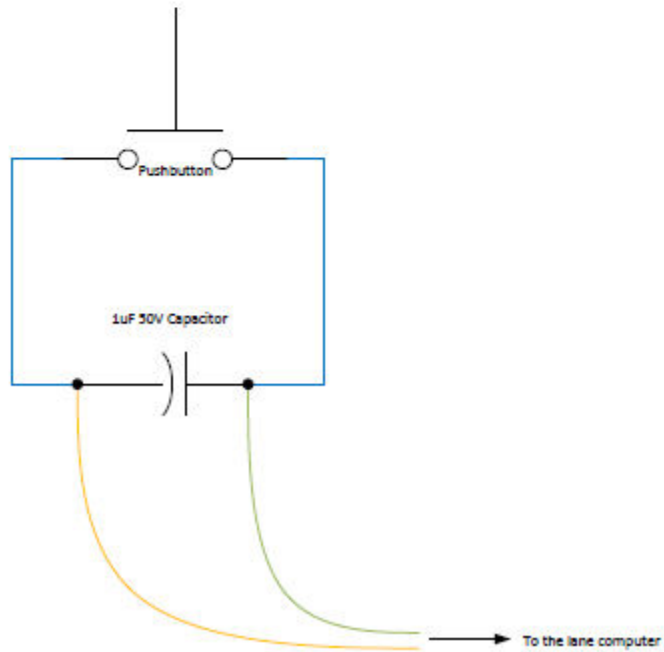
Option 1: Solder the capacitor to the switch contacts



Option 2: Using new push on terminals, crimp the capacitor and wires to the switch contacts



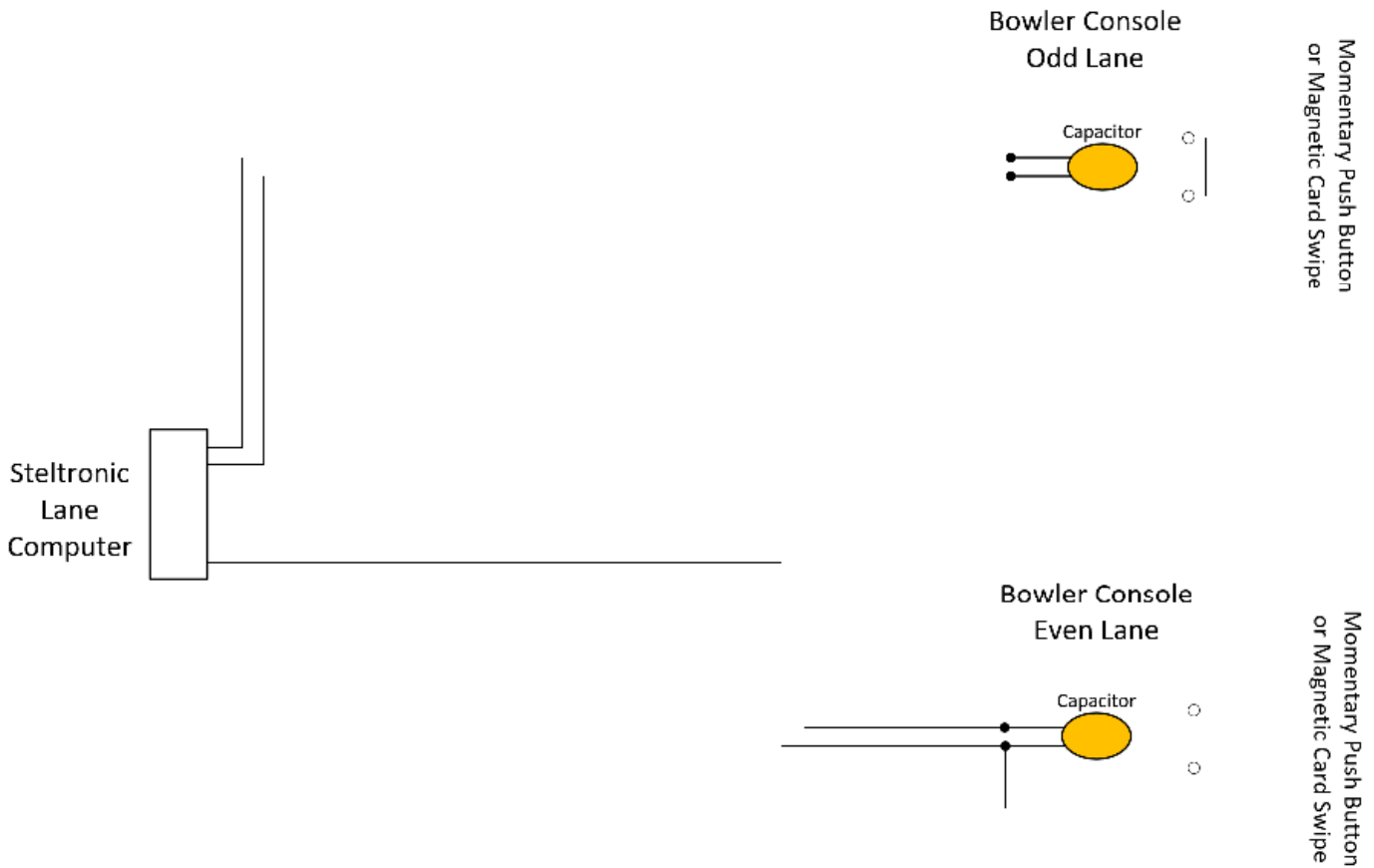
Schematic



If your bowling center decides to install card swipe or RFID card readers, these devices need to have an output set of two wires per lane to start bowling.



Connections to the Steltronic Lane Computer are shown below.



Steltronic North America, Inc.
4600 Arrow Hwy. • Montclair, Ca. 91763
(909) 971-9656
www.steltronicusa.com E-Mail serviceusa@steltronicusa.com